

RD

Pulser

for cold and hot water meters Dynamic



## Special Features

---

Simple installation

Pulsers can be fitted without breaking the meter seal

Two different pulse values

## Application

---

RD 01 and RD 011 for cold water meters up to 50 °C

RD 02 and RD 022 for hot water meters up to 130 °C

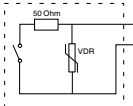
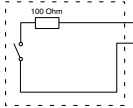
RD 01 and RD 02 for remote counters and batching systems

RD 011 and RD 022 for heat meters



Reed RD

## Performance Data

Switching component	Reed switch, plug type	
Switch protection RD 01/02	surge limiting resistor and voltage limiting varistor (VDR) switching voltage $U_{max} = 48 \text{ V AC/DC}$ switching current $I_{max} = 0.2 \text{ A}$ switching power $P_{max} = 4 \text{ W}$	
Switch protection RD 011/022	surge limiting resistor switching voltage $U_{max} = 125 \text{ V AC/DC}$ switching current $I_{max} = 0.035 \text{ A}$ switching power $P_{max} = 2 \text{ W}$	
Pulse duration	depending on flow in the meter at meter stop continuous pulse possible	
Protection	IP 68 (DIN 40050)	
Temperature range	RD 01/011: ambient temperature $t_{amb} \leq 70 \text{ °C}$ medium temperature $t_m \leq 50 \text{ °C}$	
	RD 02/022: ambient temperature $t_{amb} \leq 70 \text{ °C}$ medium temperature $t_m \leq 150 \text{ °C}$	
Connection cable	length 3 m	

## Pulse Values

Size of meter	DN	40 ... 125 1 pulse $\hat{=}$ ...	150 ... 300 1 pulse $\hat{=}$ ...
Cold water meter	Standard	1 m <sup>3</sup> 0.1 m <sup>3</sup>	10 m <sup>3</sup> 1 m <sup>3</sup>
	with a special register	1 m <sup>3</sup> 0.01 m <sup>3</sup>	10 m <sup>3</sup> 0.1 m <sup>3</sup>
Hot water meter	Standard	0.25 m <sup>3</sup> 0.1 m <sup>3</sup>	2.5 m <sup>3</sup> 1 m <sup>3</sup>
	with a special register	0.25 m <sup>3</sup> 0.025 m <sup>3</sup>	2.5 m <sup>3</sup> 0.25 m <sup>3</sup>